

SMART LITHIUM ION SERIES

INDY 3000 - High Current 28 VDC Power Station

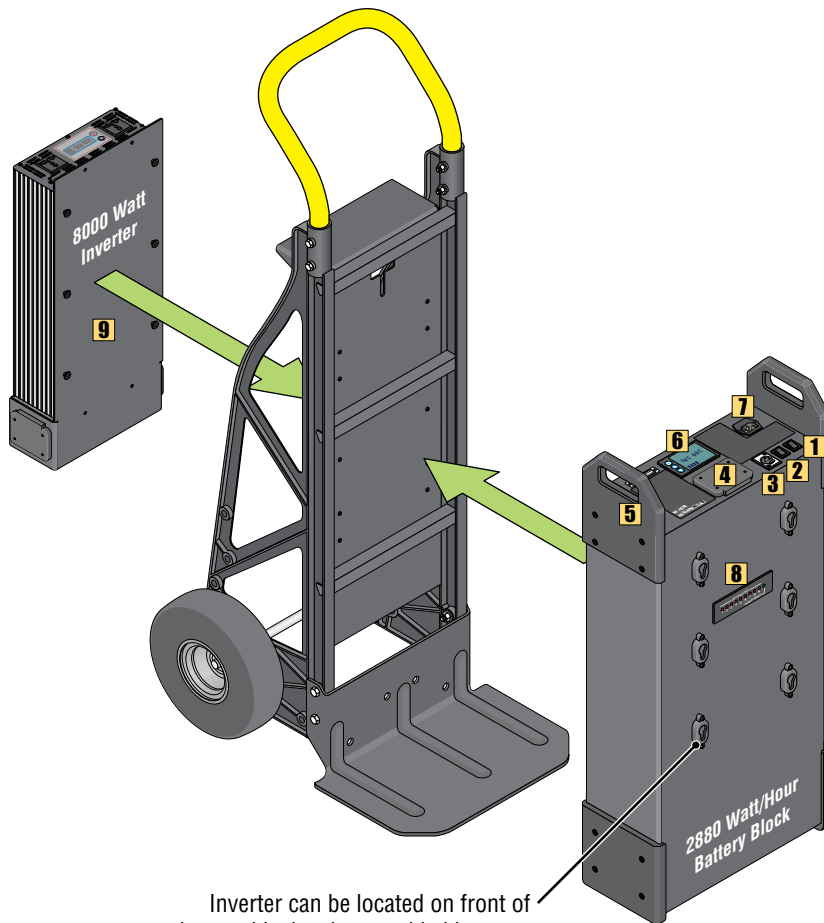
The INDY 3000 is a 2880 watt hour battery power station. The Indy 3000 can provide up to 3000 watts or 125 Amps of 28V DC Power. Designed for high powered LED Lights, the Indy 3000 is portable, light weight, linkable and easy to transport. The Indy 3000 has a convenient **built in charger** and the ability to customize outputs based on the applications. The built in diagnostics allow the owner to determine the weakest cartridge bank after every discharge. The Indy 3000 is a rugged build intended for rental house owners that service and maintain their own equipment. Optional proprietary service module is available for maintaining the Indy 3000 in top shape.

Fully Assembled The INDY 3000 Must Be Shipped as Hazardous Material By a Qualified Shipping Company

INDY 3000 Features

- 1 ON/OFF Power Switch:**
Switch **MUST** be turned **ON** first to enable the **VDC** output power.
- 2 Empty Check Switch:**
When turned **ON**, check status of battery power.
- 3 22-30 VDC Output:**
One 28 VDC Output @ 20 Amps.

Volts	Connector Type
24V	3-Pin XLR, Arri Standard (Pin 1 Gnd, Pin 2 Bat +)
- 4 120 Amp VDC Output:**
One 28 VDC Output @ 120 Amps.
- 5 125 Amp Circuit Breaker:**
28.8 VDC - Protection from power surges.
- 6 Digital Power Meter:** Monitors battery block.
- 7 Charger Input:**
Fuse: 10 amp. 90-240 VAC 50/60 Hz 500 watts
- 8 Battery Block Status:**
 1. Provides charge status of block.
 2. When status button pushed on an empty battery, the display will tell which of the 9 banks caused the block to shut off.
- 9 8000 Watt Inverter:**
Provides pure sine wave AC power up to 8000 watts.
Available in 120 VAC or 240 VAC.



Inverter can be located on front of battery block using provided hangers or on back of hand truck as shown.

INDY 3000 Specifications

INDY 3000 Dimensions:
6.6" (16.7cm) Height x 15" (38.1cm) Width x 32.5" (82.5cm) Depth

INDY 3000 Weight:
70 lbs (31.7 kg)

Temperature Recommendations:
Discharge Temperatures -20°C to 50°C (-4°F to 122°F)
Charge Temperatures 0°C to 50°C (32°F to 122°F)

WattHours: 2880 WHrs

Charge Time: 6 Hours for Empty Batteries

INDY 3000 Storage

Short Term INDY 3000 Storage (Up to 1 Week):

- 5°C to 25°C (41°F to 77°F)
- After depleting an Indy 3000 Battery, it is best to charge battery within a week.

Long Term INDY 3000 Storage (More than 1 Week):

- 5°C to 25°C (41°F to 77°F)
- Fully charge battery
- No output devices connected
- Recharge every 3 months