

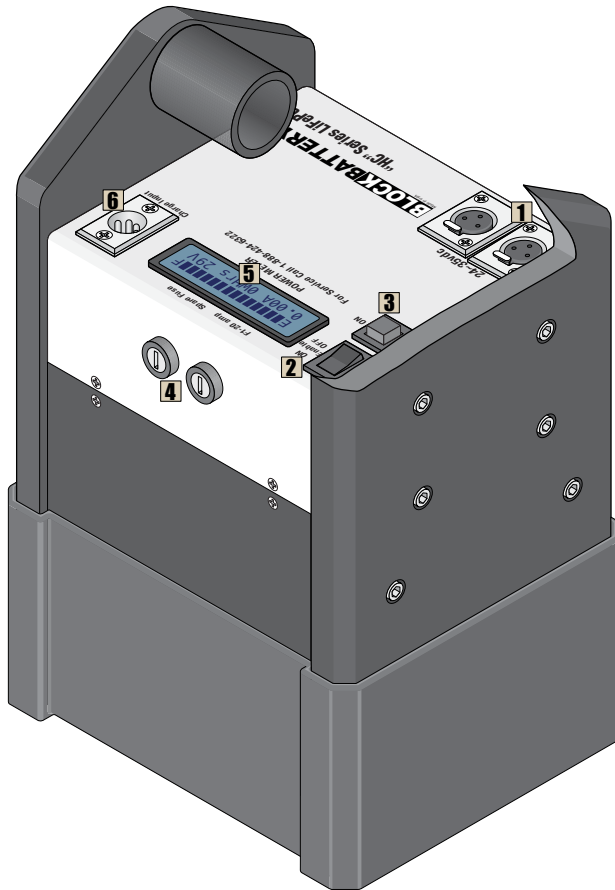
SMART LITHIUM ION SERIES

SLi-HC600 - 28 VDC Block

The SLi Series Blocks are the most versatile Block Battery designed for cinematic production applications. Utilizing innovative design concepts, the SLi Series provides an advanced feature set including QuickCell modularity and AutoBalance technology, at the same time. The SLi-HC600 is a high current block for lighting applications.

**Fully Assembled (Battery Cartridges Installed)
The SLi-HC600 Must Be Shipped as Hazardous
Material By Qualified Shipping Company**

See reverse side for transportation rules.



SLi-HC600 Features

1 2 Voltage Outputs:

Volts	Connector Type
25V-34.5V	3-Pin XLR, Arri Standard (Pin 1 Gnd, Pin 2 Bat +)

2 ON/Off Enable:

Switch **MUST** be turned **ON** first to enable the output power.

3 ON - Push to Start:

Momentary switch to engage output connectors. LCD will light up when outputs are turned on and battery is **not empty**. If the LCD Display **does not** turn on when the "ON/OFF Enable Switch" is ON and the "Push to Start" switch is depressed, then the battery is **empty**. Start the charging procedure.

4 Output Fuses:

F1 - Fused at 20 amps. Maximum recommended continuous current draw is 15 amps.

Spare Fuse - 20 amp extra fuse.

5 Power Meter:

The Active Discharge screen displays critical output information about the power supplied from the Block Battery. **Note:** Leaving the Block turned **on** while not in use will discharge the Block, It is best to **turn off** the "ON/OFF Enable" switch when not in use. See reverse side for screen descriptions.

SLi-HC600 Specifications

Dimensions:

12" (30.5cm) Height x 7.625" (19.3CM) Width x 6.125" (15.5 cm) Depth

Weight:

SLi-HC600 16 lbs (7.25kg)

Temperature Recommendations:

Discharge Temperatures -20°C to 50°C (-4°F to 122°F)

Charge Temperatures 0°C to 50°C (32°F to 122°F)

AmpHours:

28V Regulated 34AHrs @ 24-35V

WattHours: 550WHrs

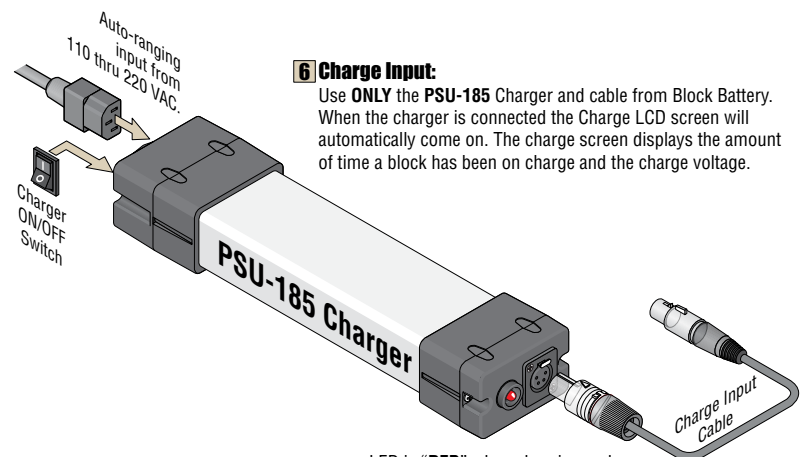
SLi-HC600 Storage

Short Term Storage (Up to 1 Week):

- 5°C to 25°C (41°F to 77°F)
- OK to leave on charger
- After depleting an SLi-HC600 Battery, it is best to get the battery on a charger within a week.

Long Term Storage (More than 1 Week):

- 5°C to 25°C (41°F to 77°F)
- Fully charge battery
- No output devices connected
- Do not leave charger connected
- Recharge every 3 months

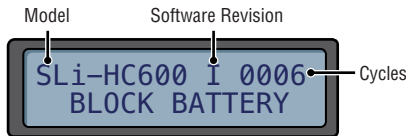


LED is "RED" when charging and "GREEN" when finished charging.

For technical support call:

1-888-424-6322

Screen Display Descriptions

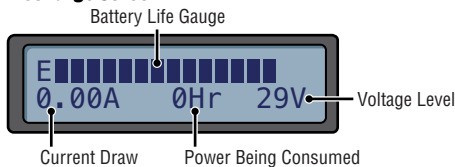


Sign On Screen: The Sign on screen displays the Software version and the number of recharge cycles on a block each time a block is initialized.

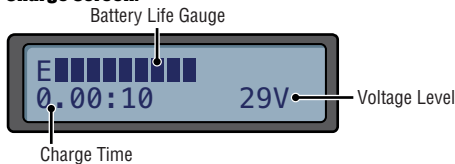


Balancing Output Screen: When a block is removed fresh off a charger and turned on immediately, a balancing output message might appear on the LCD screen. The SLi Series automatically balances the internal cells each time a charge is complete. This message is only displayed if the block is turned on immediately and is typically on for less than 2 minutes. It is best not to connect a block to a camera when this message is displayed.

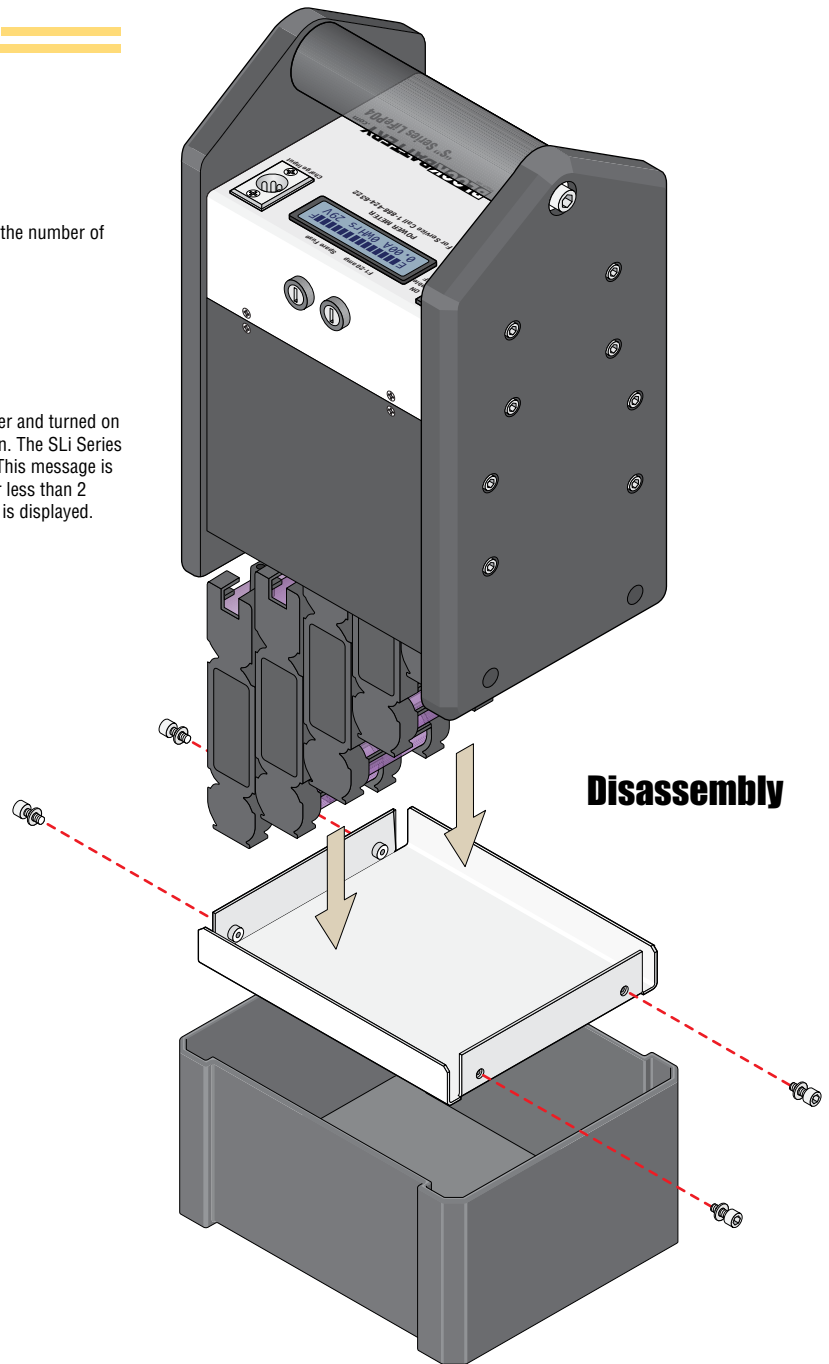
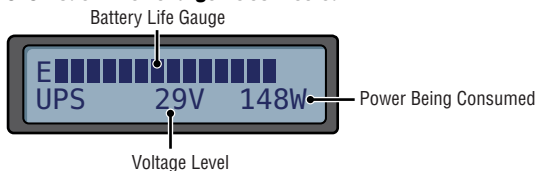
Discharge Screen:



Charge Screen:



UPS Mode (When charger is connected):



Disassembly

SLi-HC600 Transportation Guidelines

The SLi Series is a Lithium Ion Block. While we have designed the SLi Series blocks to make it as easy as possible to ship and service the block, we are still restricted to one of **three** types of transportation.

1. A completely assembled SLi-HC600 is 550WHrs and as such, if you wish to ship a completely assembled block, it must be shipped via an authorized Class 9 Dangerous goods shipper **GROUND SHIPPING ONLY**.
2. The cells in the SLi are easily removed. By removing the rubber boot and removing the four bottom screws, the bottom of the SLi can slide off. The internal cartridges can be simply unplugged for shipping. If you would like to ship the system GROUND without shipping as Class 9 Dangerous Goods. Simply ship all 10- 55 WHr cartridges disconnected and individually wrapped in one box (consult the shipper for proper labeling) and the housing in a separate box.
3. **Air Shipments.** It is possible to ship the SLi-HC600 using air cargo shipments. Each cartridge is only 55 WHrs @ 3.2v and will need to be discharged to 30% state of charge prior to packing. Remove all cartridges from the battery case and ship them in the same box as the battery case. Be sure to use the proper packaging and labeling for the carrier selected (ie. UN3481 labels).

BLOCK BATTERY