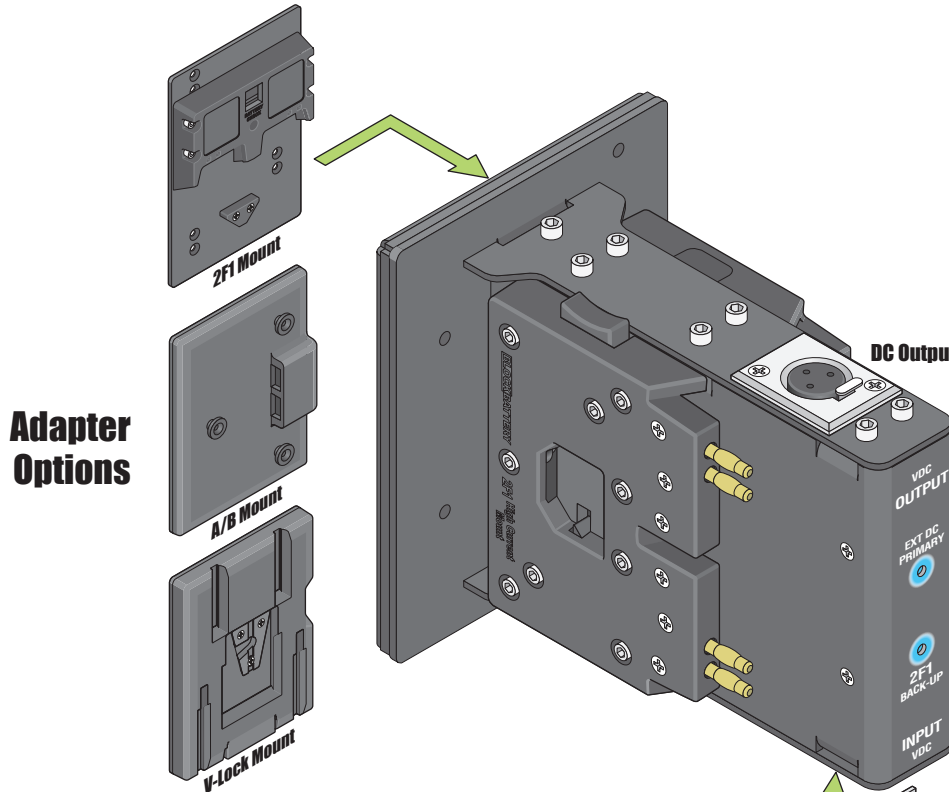


T-Mount Adapter - Dual Battery Mount with UPS function

The T-Mount provides quick mounting of two 2F1 Style Batteries to any camera or lighting mount in the industry. The T-Mount will completely isolate the 2F1 batteries keeping them fresh and fully charged until an external block or AC Adapter is disconnected from the external power input. The switch from external DC to 2F1 batteries is completely seamless. The T-Mount is adaptable to A/B mount, V-lock mount or 2F1 direct mount in either 14v or 28v modes. The T-Mount has one accessory power DC output XLR configured for the appropriate voltage range.



Adapter Options

T14 volts

DC Input Connector:

4Pin XLRM 4-20VDC (Pin 1 GND, Pin 4 Pos)

DC Output Connector:

4Pin XLRF 12-17VDC (Pin 1 GND, Pin 4 Pos)

T28 volts

DC Input:

3Pin XLRM 20-36VDC (Pin 1 GND, Pin 2 Pos)

DC Output:

3Pin XLRM 20-36VDC (Pin 1 GND, Pin 2 Pos)

T-Mount Specifications

T-Mount Dimensions:

5.25" (13.3 cm) x Height x 4" (10.1 cm) Width x 6.25" (15.8 cm) Depth

T-Mount Weight:

1.5 lbs (0.68 Kg)

DC Input:

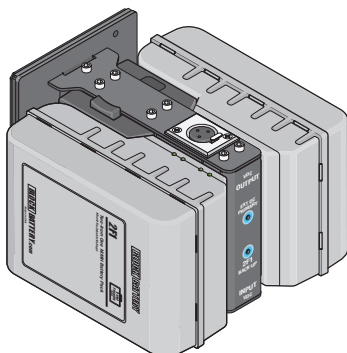
Priority input, overrides batteries seamlessly

NOTE: Flashing when the 2F1 battery voltage is low.

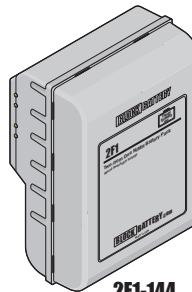
AC Adapter

2F1 Battery Options

Sold Separately



2F1-150



2F1-144



2F1-96HC
2F1-96HCU

Connect Two 2F1 Style Batteries to T-Mount