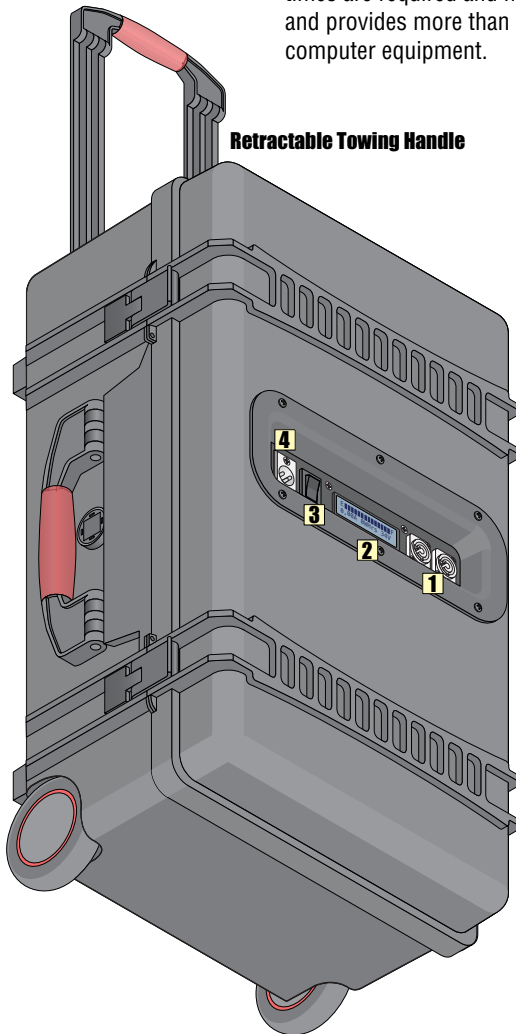


SMART LITHIUM ION SERIES

DiT-1400 - 25.6 VDC Battery Block

The DiT Series Blocks are the most versatile Block Battery designed for high power applications where longer run times are required and no ac power is available. The DiT-1400 can power a SkyPanel at 100% output for 3.5 Hours and provides more than enough power for cart applications needing up to 1000 watts to operate power hungry computer equipment.



Retractable Towing Handle

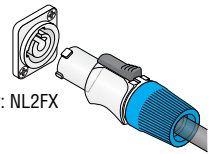
**Fully Assembled (Battery Cartridges Installed)
The DiT-1400 Must Be Shipped as Hazardous
Material By Qualified Shipping Company**

See reverse side for transportation guidelines.

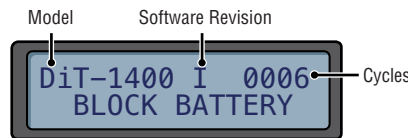
DiT-1400 Features

1 "Speakon" Connector Type:

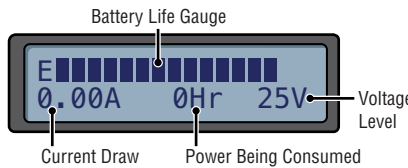
Two connectors
Voltage range 20 ~ 30 VDC Fused @ 30 Amps Each Mating Connector Part Number: NL2FX



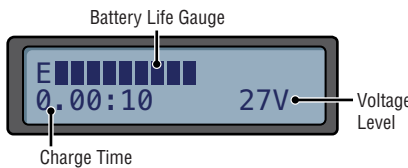
2 Screen:



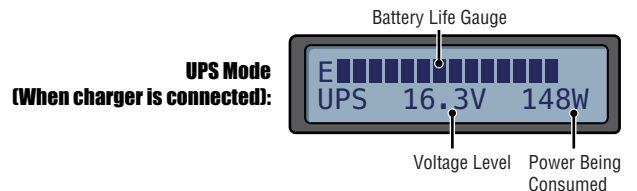
Sign On Screen: The Sign on screen displays the Software version and the number of recharge cycles on a block each time a block is initialized.



Discharge Screen (When charger is NOT connected):



Charge Screen (When charger is NOT connected):



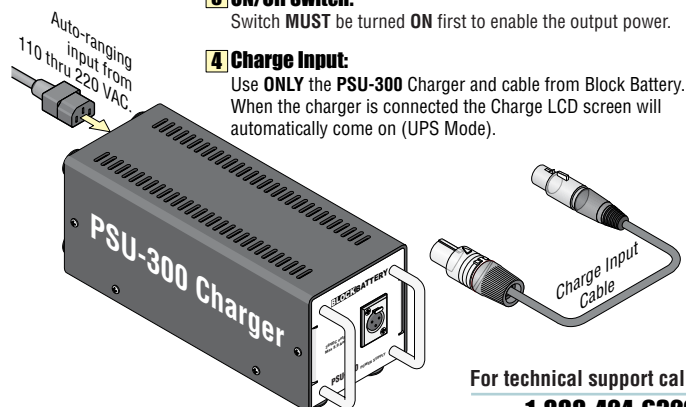
UPS Mode (When charger is connected):

3 ON/Off Switch:

Switch **MUST** be turned **ON** first to enable the output power.

4 Charge Input:

Use **ONLY** the PSU-300 Charger and cable from Block Battery. When the charger is connected the Charge LCD screen will automatically come on (UPS Mode).



For technical support call:
1-888-424-6322

DiT-1400 Specifications

DiT-1400 Dimensions: 22" (55.8cm) Height x 13.5" (34.3CM) Width x 9.5" (24.1 cm) Depth

DiT-1400 Weight:

With Battery Cartridges Installed: 48 lbs (21.8kg)

Without Battery Cartridges Installed: 18 lbs (8.1 kg)

Temperature Recommendations:

Discharge Temperatures -20°C to 50°C (-4°F to 122°F)

Charge Temperatures 0°C to 50°C (32°F to 122°F)

AmpHours: 54.4AHrs @ 20V-30V

WattHours: 1400WHrs

DiT-1400 Storage

Short Term DiT-1400 Storage (Up to 1 Week):

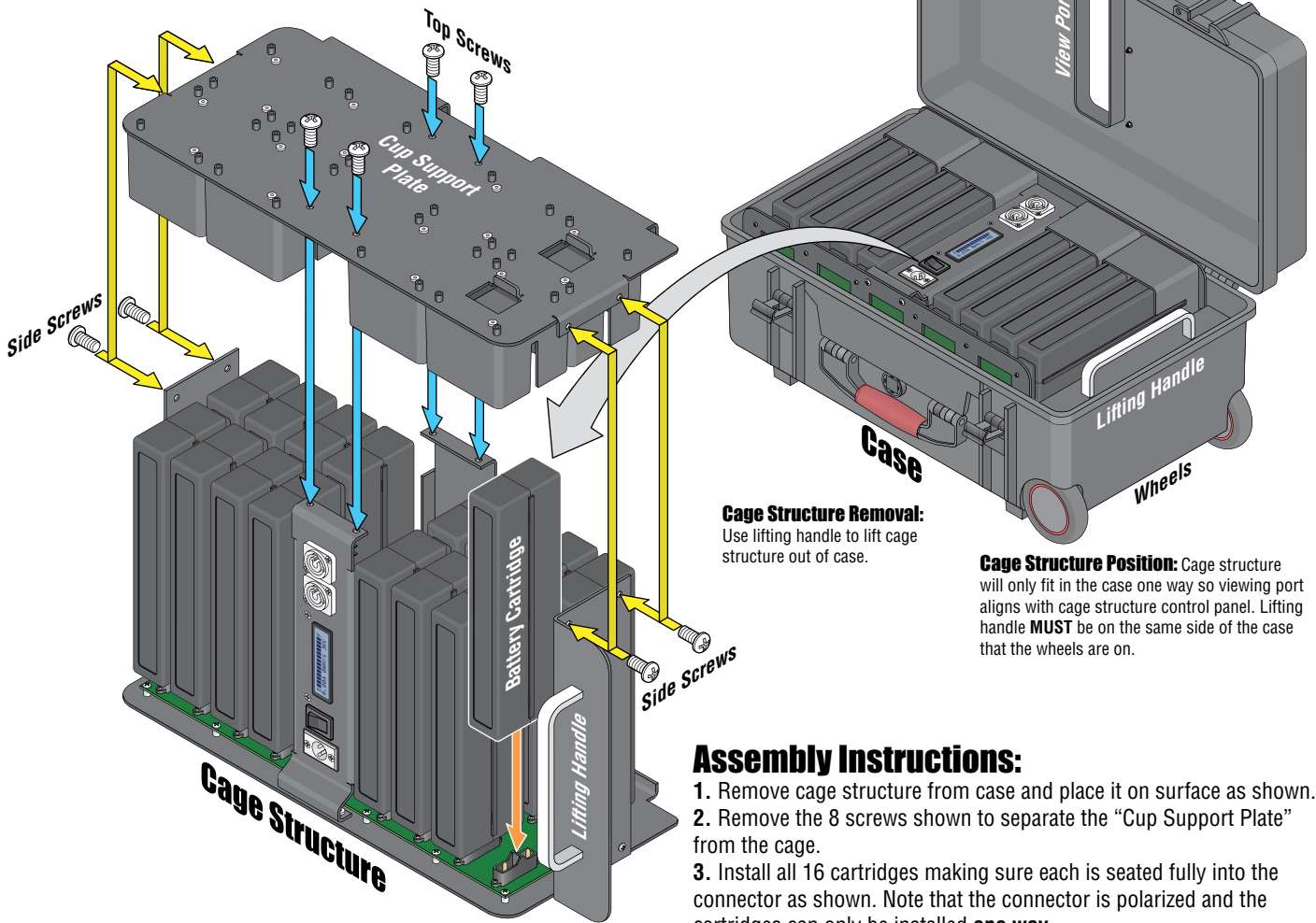
- 5°C to 25°C (41°F to 77°F)
- OK to leave on charger
- After depleting an DiT-1400 Battery, it is best to get the battery on a charger within a week.

Long Term DiT-1400 Storage (More than 1 Week):

- Turn Output Switch Off
- 5°C to 25°C (41°F to 77°F)
- Fully charge battery
- No output devices connected • Do not leave charger connected
- Recharge every 3 months

Assembly

The DiT-1400 ships from the factory with cartridges **NOT** installed and boxed separately, allowing the system to ship via air or ground shipment and **NOT as a Hazardous Material**.



Cage Structure Removal:
Use lifting handle to lift cage structure out of case.

Cage Structure Position: Cage structure will only fit in the case one way so viewing port aligns with cage structure control panel. Lifting handle **MUST** be on the same side of the case that the wheels are on.

Assembly Instructions:

1. Remove cage structure from case and place it on surface as shown.
2. Remove the 8 screws shown to separate the "Cup Support Plate" from the cage.
3. Install all 16 cartridges making sure each is seated fully into the connector as shown. Note that the connector is polarized and the cartridges can only be installed **one way**.
4. Place the "Cup Support Plate" over the installed cartridges as indicated. The support plate should be **carefully aligned** as to engage each cartridge without binding. Once the cartridges are all aligned the support plate will slide easily down onto all the cartridges.
5. Push the cup support plate **fully** on and re-install the top and side screws as shown.

Final Transportation Guidelines

The DiT Series is a Lithium Ion Block. While we have designed the DiT Series blocks to make it as easy as possible to ship and service the block, we are still restricted to one of **three** types of transportation.

1. A completely assembled DiT-1400 is 1400WHrs and as such, if you wish to ship a completely assembled block, it must be shipped via an authorized Class 9 Dangerous goods shipper **GROUND SHIPPING ONLY**.
2. The cartridges in the DiT are easily removed. By opening the case and removing the battery Cage Structure then removing the **four SIDE screws** and **four TOP screws** to disconnect Cup Support Plate as shown, the internal cartridges can be simply unplugged for shipping. If you remove the cartridges from the Cage Structure, the battery can be shipped **GROUND** without the need for shipping the system as a Class 9 Dangerous Goods. Simply ship all cartridges disconnected and individually wrapped in a single box (consult the shipper for proper labeling) and the case in a separate box.
3. **Air Shipments.** It is possible to ship the DiT-1400 using air cargo shipments. Each cartridge is only 87 WHrs @ 3.2v and will need to be discharged to 30% state of charge prior to packing. Remove all cartridges from the battery case and ship them in the same box as the battery case. Be sure to use the proper packaging and labeling for the carrier selected (ie. UN3481 labels).

BLOCK BATTERY