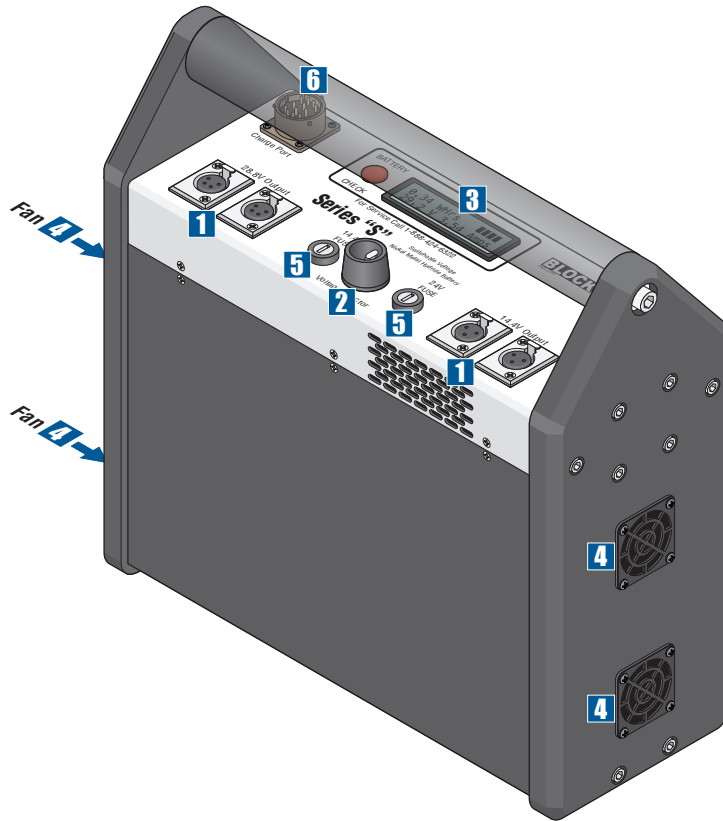


SERIES "S"

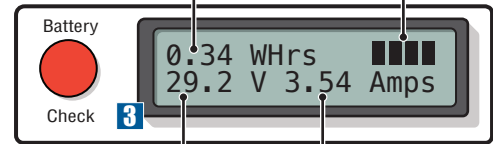
S800 - 14 or 28 VDC Switchable Block Battery

A **switchable** voltage battery designed for power hungry cinematic camera rigs, the "S800" provides a 800 watt hour capacity with nominal outputs at 28.8 volts or 14.4 volts, at up to 15 amps in either voltage.



LCD Power Meter

Hours of output power used Amount of output power remaining



Voltage output at battery

Amount of current being drawn by output device

S800 Features

1 Output Connector Types:

Two connectors @ nominal 28.8 Volt (~20-34VDC)
Two connectors @ nominal 14.4 Volt (~10-17VDC)

Model	Volts	Connector Type
S800-33044	28.8V	3-Pin XLR, Arri Standard (Pin 1 Gnd, Pin 2 Bat +)
(Pictured)	14.4V	4-Pin XLR, (Pin 1 Gnd, Pin 4 Bat +)
S800-22044	28.8V	2-Pin Amphenol (Pin A Gnd, Pin B Bat +)
(Not-Pictured)	14.4V	4-Pin XLR, (Pin 1 Gnd, Pin 4 Bat +)

Note: Optional connectors available on request

2 Output Selector Switch:

14 VDC OR 28 VDC

3 Power Metering:

LCD Screen (Press **battery check** button to show power status)

Note: Automatically turns **ON** when battery is in use and turns **OFF** when charging battery

4 Cooling Fans:

Fans automatically turn ON/OFF for battery temperature control

Note: Fans **ONLY** turn on when battery is being charged

5 Battery Fuses:

15 Amp replacement size (2 Required)

6 Charge Connector:

Connects to EFC-2 or 2F1-Charger

CAUTION:

Use BLOCK BATTERY chargers **ONLY**. Charge cycle completion is indicated with GREEN LED. If removing S800 **BEFORE** charging cycle completion, then make sure Power Meter voltage reads 34 Volts or Less **BEFORE** plugging in output device. Otherwise device being powered could shutdown or be **DAMAGED**. Voltage typically settles below 34 volts within an hour of being disconnected from charger.

S800 Operation and Storage

Output Capacity when Fully Charged:

800 watt hours, or 56 amp hours @ 14VDC, or 28 amp hours @ 28VDC

Estimated Runtime: ~ 8 hours on Alexa, or 6 hours on F65, depending on camera rig accessories

Charging Time for Empty Battery:

~ 5.5 hours on EFC-2 or 2F1-Charger

Battery Shut-Off at End of Discharge Cycle:

Output power will automatically shut-off when:

28 VDC output power is discharged to 20 V (Approximate)

14 VDC output power is discharged to 10 V (Approximate)

Short Term S800 Storage (Up to 1 Week):

5° to 25°C (41° to 77°F)

No output device plugs connected

OK to leave charger connected

Long Term S800 Storage (More than 1 Week):

5° to 25°C (41° to 77°F)

Fully charge battery

No output device plugs connected

Do not leave charger connected

Recharge every two months

S800 Specifications

S800 Dimensions:

13" (33 cm) Height x 13.5" (34.2 cm) Width x 5.3" (13.4 cm) Depth

S800 Weight:

35 lbs (15.87 Kg)

S800 Battery Type:

Nickel Metal-Hydride (NiMH)

S800 is Unrestricted for Air & Ground Transport

For technical support call:

1-888-424-6322