

SMART LITHIUM ION SERIES

SLi-D600 - 14 and 28 VDC Dual Block

The SLi Series Blocks are the most versatile Block Battery designed for cinematic production applications. Utilizing innovative design concepts, the SLi Series provides an advanced feature set including QuickCell modularity and AutoBalance technology, at the same time. The SLi-D600 comes standard with multiple simultaneous voltage outputs, a nominal 16vdc output and a regulated 28vdc output.

Ground Transport ONLY!
with battery packs installed

See reverse side for transportation rules.

SLi-D600 Features

1 Voltage Outputs:

Voltage ranges: 12.5v ~ 17.25v **OR** 25v ~ 35v at the same time.

Dual Voltages

Volts	Connector Type
28V Regulated	3-Pin XLR, Arri Standard (Pin 1 Gnd, Pin 2 Bat +)
12.5V ~ 17.25V	4-Pin XLR, (Pin 1 Gnd, Pin 4 Bat +)

2 ON/Off Enable:

Switch **MUST** be turned **ON** first to enable the output power.

3 ON - Push to Start:

Momentary switch to engage output connectors. LCD will light up when outputs are turned on and battery is **not empty**. If the LCD Display **does not** turn on when the "ON/OFF Enable Switch" is ON and the "Push to Start" switch is depressed, then the battery is **empty**. Start the charging procedure.

4 Output Fuses:

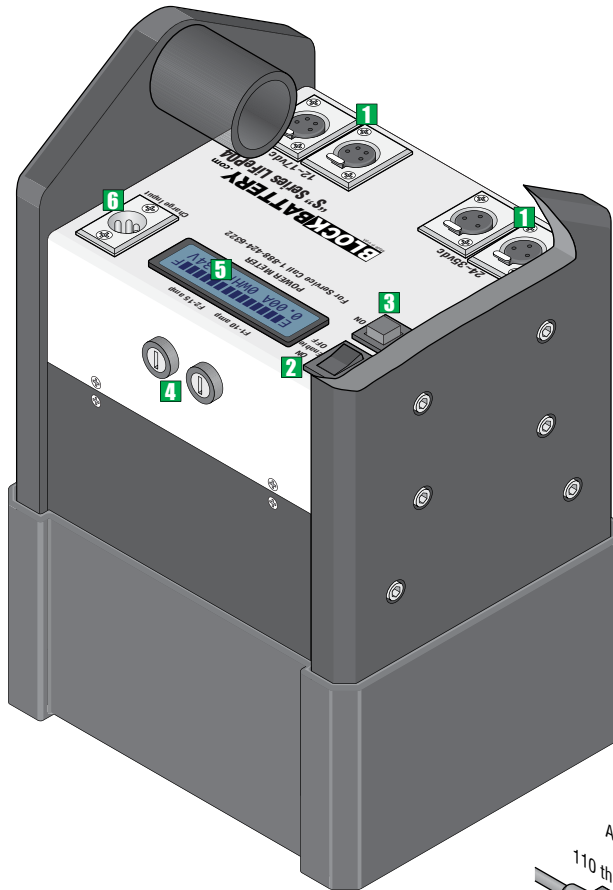
F2 - 12V-17.25V Fused at 15 amps. Maximum recommended continuous current draw is 12 amps.

F1 - 25V-34.5V Outputs and the 28V regulated outputs are fused at 10 amps. Maximum recommended continuous current draw is 8 amps.

5 Power Meter: The Active Discharge screen displays critical output information about the power supplied from the Block Battery. **Note:** Leaving the Block turned on while not in use will discharge the Block, it is best to **turn off** the "ON/OFF Enable" switch when not in use. See reverse side for screen descriptions.

6 Charge Input:

Use **ONLY** the **PSU-185** Charger and cable from Block Battery. The block can be charged and continue to power connected devices if desired. When the charger is connected the Charge LCD screen will automatically turn on. The charge screen displays the amount of time a block has been on charge and the charge voltage. See reverse side for screen descriptions.



SLi-D600 Specifications

SLi-D600 Dimensions:

12" (30.5cm) Height x 7.625" (19.3CM) Width x 6.125" (15.5 cm) Depth

SLi-D600 Weight:

SLi-D600 17 lbs (7.71 kg)

Temperature Recommendations:

Discharge Temperatures -20°C to 50°C (-4°F to 122°F)

Charge Temperatures 0°C to 50°C (32°F to 122°F)

AmpHours:

17AHrs @ 25V-34.5V or 28V Regulated 34AHrs @ 12.5-17.25V

WattHours: 550WHrs

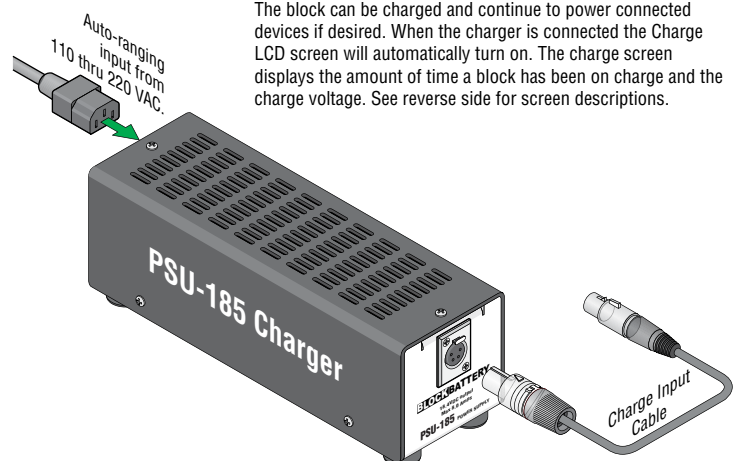
SLi-D600 Storage

Short Term SLi-D600 Storage (Up to 1 Week):

- 5°C to 25°C (41°F to 77°F)
- OK to leave on charger
- After depleting an SLi-600 Battery, it is best to get the battery on a charger within a week.

Long Term SLi-D600 Storage (More than 1 Week):

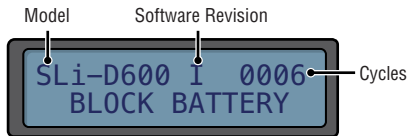
- 5°C to 25°C (41°F to 77°F)
- Fully charge battery
- No output devices connected
- Do not leave charger connected
- Recharge every 3 months



For technical support call:

1-888-424-6322

Screen Display Descriptions

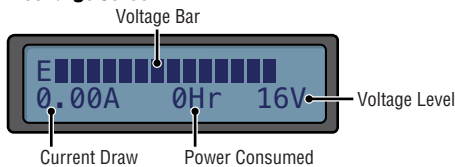


Sign On Screen: The Sign on screen displays the Software version and the number of recharge cycles on a block each time a block is initialized.

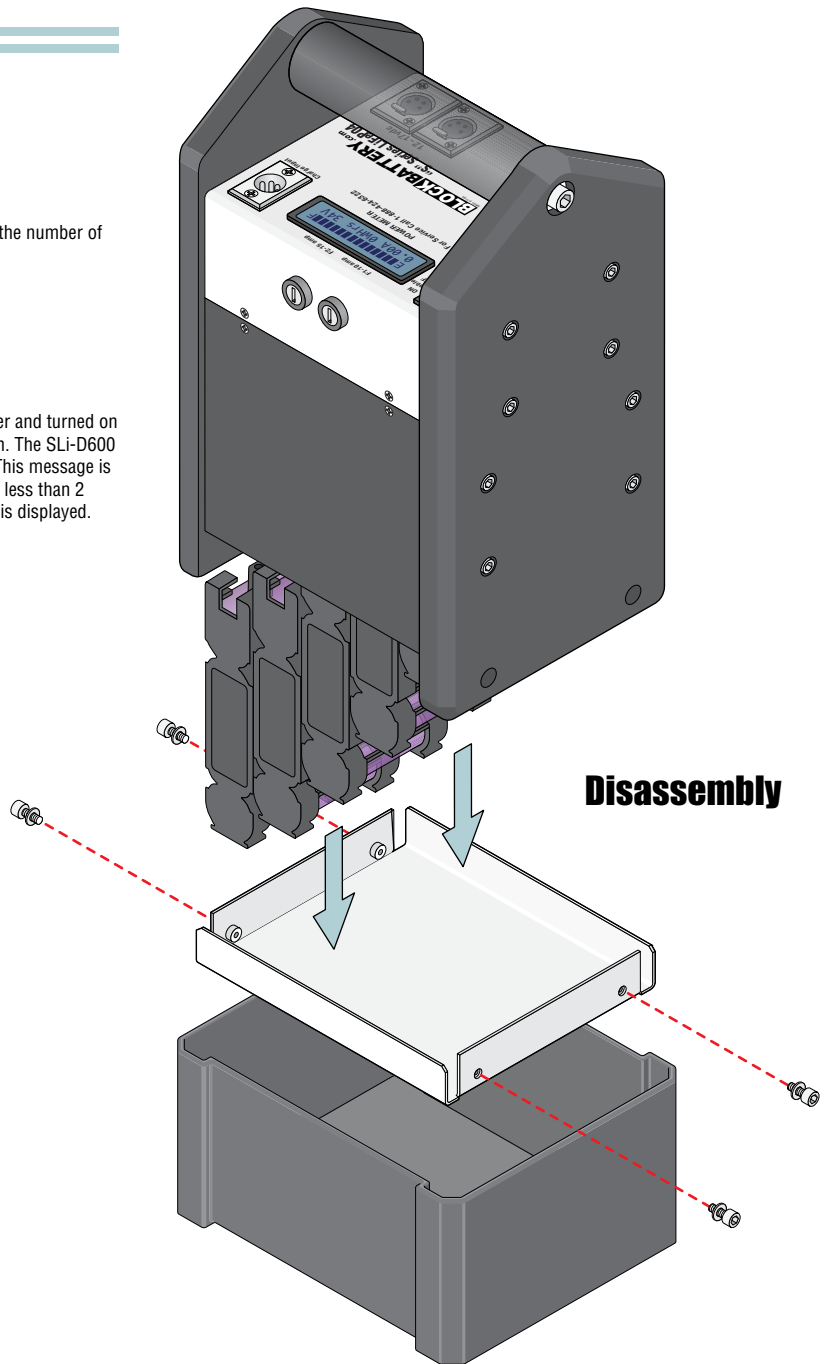
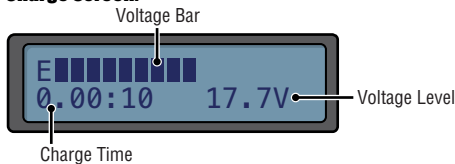


Balancing Output Screen: When a block is removed fresh off a charger and turned on immediately, a balancing output message might appear on the LCD screen. The SLi-D600 automatically balances the internal cells each time a charge is complete. This message is only displayed if the block is turned on immediately and is typically on for less than 2 minutes. It is best not to connect a block to a camera when this message is displayed.

Discharge Screen:



Charge Screen:



SLi-D600 Transportation Guidelines

The SLi-D600 is a Lithium Ion Block. While we have designed the SLi-D600 block to make it as easy as possible to ship and service the block, we are still restricted to one of **three** types of transportation.

1. A completely assembled SLi-D600 is 550WHrs and as such, if you wish to ship a completely assembled block, it must be shipped via an authorized Class 9 Dangerous goods shipper **GROUND SHIPPING ONLY**.
2. The cells in the SLi are easily removed. By removing the rubber boot and removing the four bottom screws, the bottom of the SLi can slide off. The internal cartridges can be simply unplugged for shipping. If you would like to ship the system GROUND without shipping as Class 9 Dangerous Goods. Simply ship all 10- 55 WHr cartridges disconnected and individually wrapped in one box (consult the shipper for proper labeling) and the housing in a separate box.
3. **Air Shipments.** It is possible to ship **2 cartridges per box** and **5 separate boxes** in air shipments. Each cartridge is only 55 WHrs @ 3.2v and will need to be **discharged to 30% state of charge** prior to packing but it is possible in an emergency to transport these cartridges via AIR.

BLOCK BATTERY