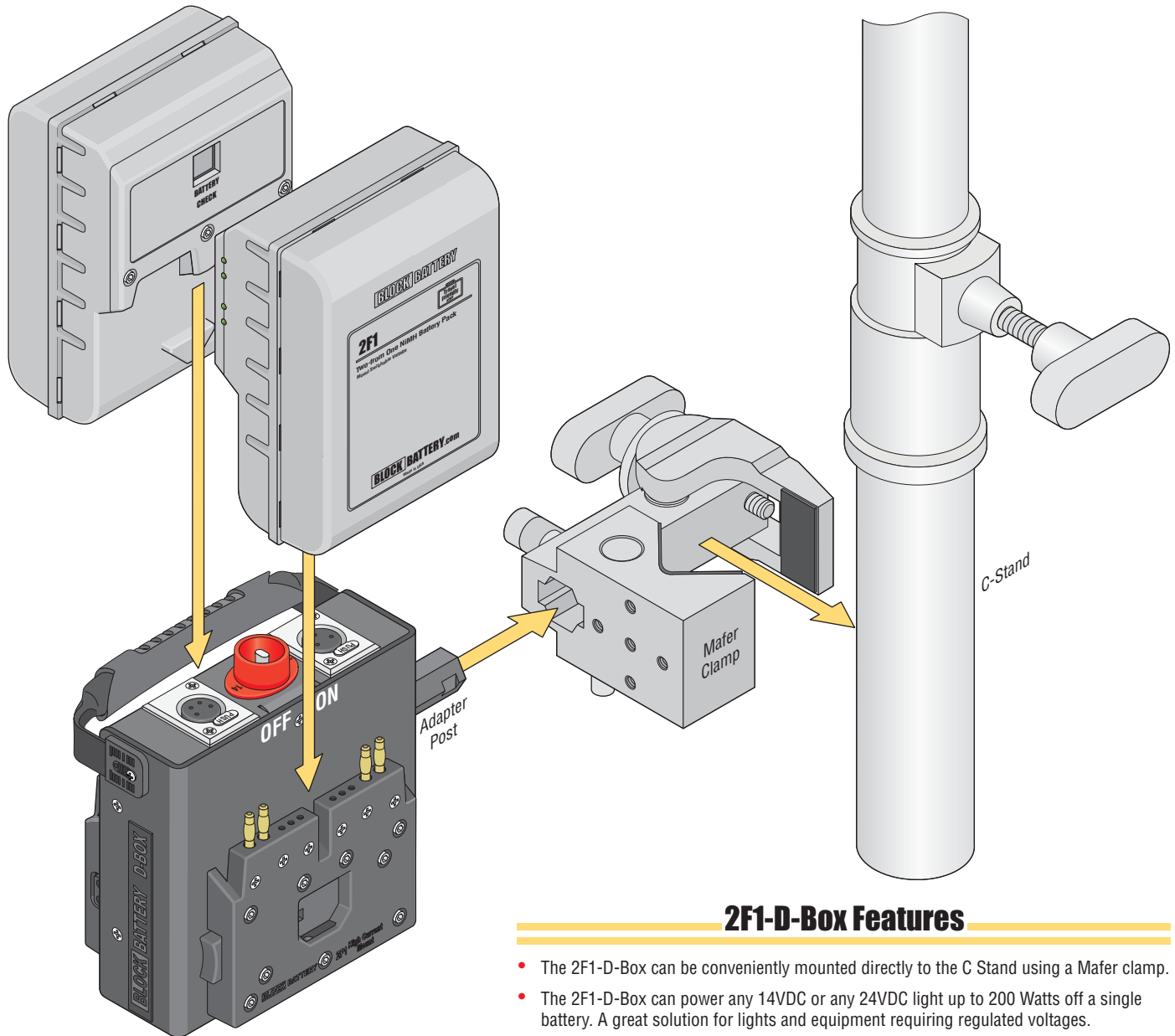


# 2F1-D-BOX - 14 and 24VDC Dual Voltage 2F1 Mount Adapter

Dual voltage 2F1 battery mount box with simultaneous 14VDC & 24VDC (regulated output) via 4 pin XLR and 3 pin XLR respectively; includes adapter post for mafer clamp. **Output capacity 240 WH via two 2F1-120 batteries sold separately.**



## 2F1-D-Box Specifications

### 2F1-D-Box Dimensions:

6" (15.2 cm) Height x 6" (15.2 cm) Width x 3" (7.7 cm) Depth

### 2F1-D-Box Weight:

2 lbs (0.9 Kg) without batteries

### 2F1-D-Box Output Connectors:

4-Pin XLR 10-17VDC @ 15 Amps

3-Pin XLR Regulated 24VDC @ 10 Amps

## 2F1-D-Box Features

- The 2F1-D-Box can be conveniently mounted directly to the C Stand using a Mafer clamp.
- The 2F1-D-Box can power any 14VDC or any 24VDC light up to 200 Watts off a single battery. A great solution for lights and equipment requiring regulated voltages.
- Accepts two 2F1 style batteries simultaneously for a total of 240WHrs of output capacity.

### Estimated run times:

Celeb 200 with **single** 2F1 battery mounted approx. 1 hour in 24vdc mode.

Celeb 200 with **dual** 2F1 batteries mounted approx. 2 hours in 24vdc mode.

Celeb 400 with **single** 2F1 battery mounted approx. 30 minutes in 24vdc mode.

Celeb 400 with **dual** 2F1 batteries mounted approx. 1 hour in 24vdc mode.

Astra light with a **single** 2F1 battery mounted approx. 45 minutes in 24vdc mode.

Astra light with a **dual** 2F1 batteries mounted approx. 90 minutes in 24vdc mode.

**For technical support call:**

**1-888-424-6322**